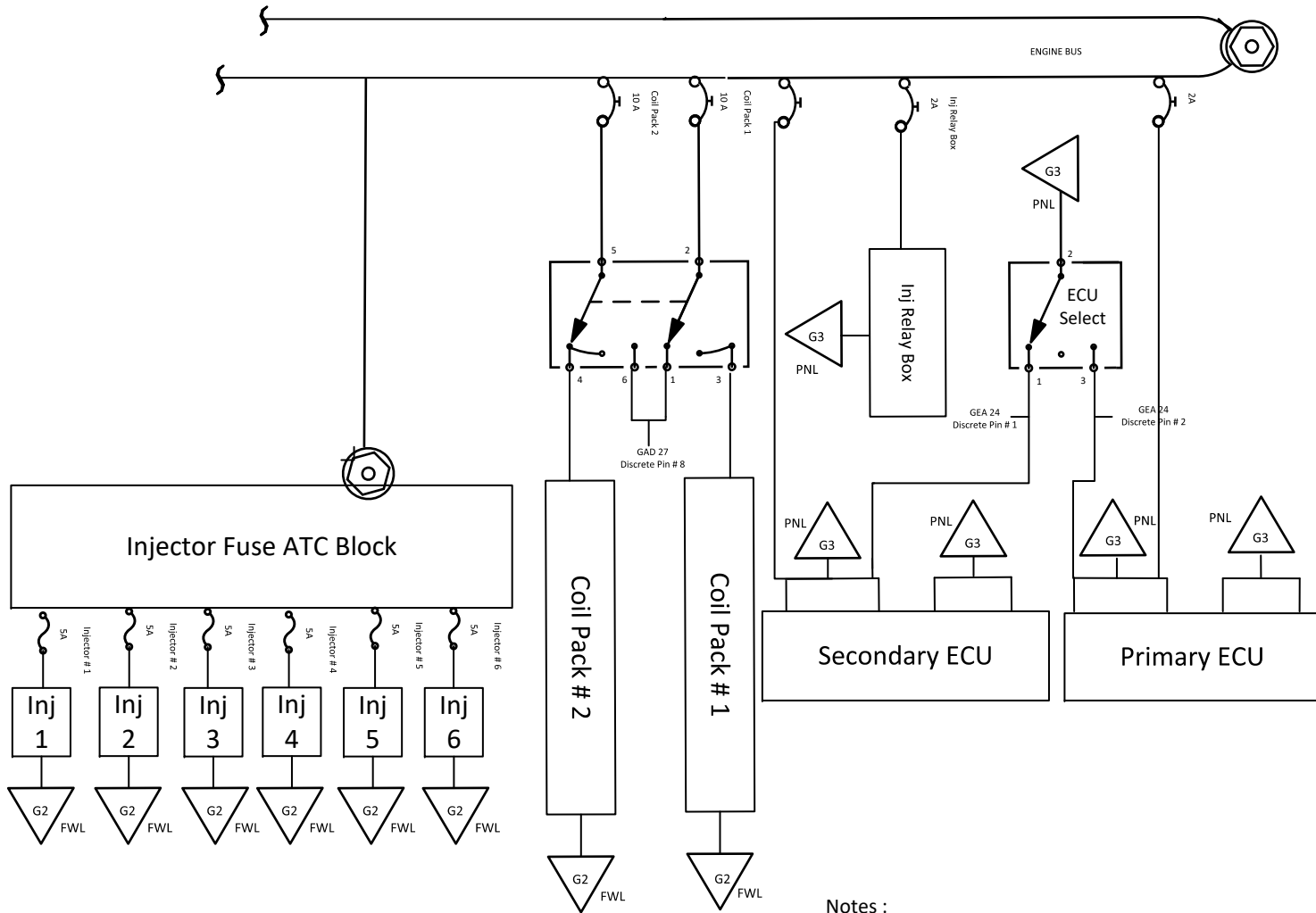


# SDSEFI & G3X Dual ECU / Coil Pack / Injector Power & Ground Wiring



**Notes :**

- Switches are Honeywell Mil-Spec PN # 2TL1-12A DPDT (On-Both-On) Honeywell Mil-Spec PN # 1TL1-1A SPDT (On-Off-On)
- Only Power / Grounds shown

Title	C-GROK – G3X & SDS			
Author	Les Kearney			
	H:\RV10\GROK\Electrical\Wiring\ESysV70.vsd			
Version	7.0	Date	2021 Mar 31	2 – DUAL ECU

Changes	Honeywell switch part numbers corrected Corrected coil pack discrete pin spec. Changed from GEA discrete pin # 4 GAD 27 discrete pin # 8 (active high).
---------	--